

E4-WM5-Y508A00

MOUNTING INSTRUCTION



IMPORTANT! READ THIS FIRST!

Installation of shock absorbers requires special tools and expert knowledge. Accordingly, installation of all BILSTEIN products must be performed by a qualified suspension specialist.

When replacing other brands, BILSTEIN shock absorbers should always be installed as a set. All BILSTEIN products must only be used for the specific, intended application as indicated in the application guide. **Any use of any BILSTEIN product other than for its intended use may result in serious bodily injury or death.**

Always use a chassis hoist for the installation of BILSTEIN products and make certain that the raised vehicle is securely attached to the hoist and/or supported to prevent the vehicle from slipping, falling, or moving during the installation process.

If you choose to install any BILSTEIN product without the necessary special tools, expertise or chassis hoist, you may subject yourself to the risk of serious bodily injury or death. If you elect not to use a chassis hoist, at least make sure the vehicle is on level ground, that all tires on the ground during installation are blocked to prevent movement, that at least two tires are on the ground at all times, and that adequately secured safety stands (jack stands) are used to support the chassis. **NEVER** get under the vehicle until you have checked to make sure all of these steps are performed.

BILSTEIN suspension products are gas-filled and are highly pressurized.

- Never place any BILSTEIN product in a vise or use a clamp on any BILSTEIN product.
- Never apply heat near any BILSTEIN product.
- Never attempt to open or repair any BILSTEIN product, in order to prevent **serious bodily injury or death.**

Any attempt to misuse, misapply, modify, or tamper with any BILSTEIN suspension product voids any warranty and **may result in serious bodily injury or death.**

While installing any BILSTEIN product:

- Do not use impact tools for loosening or tightening fasteners, because this may destroy the screw threads.
- Self-locking fasteners must only be used **once!**
- Reuse original equipment components only if they are in good condition, otherwise replace them with new components.
- Never remove the slight film of oil on the piston rod and seal.
- All mounting fasteners for shocks and struts must be securely tightened before tension is placed on the suspension system.

After installing any BILSTEIN product:

- The suspension caster and camber must be checked and/or adjusted to comply with the vehicle manufacturer's specifications.
- The (load dependent) brake compensator and the anti-lock brake system must be checked and/or reset to comply with the vehicle manufacturer's specifications.
- The headlight aim must be checked and adjusted.

CAUTION!!!

Before disassembling the front suspension, refer to the vehicle manufacturer's Service Manual for proper procedures. The coil spring is preloaded and must be compressed with a spring compressor to release load before the upper mount is disassembled. Failure to follow the vehicle manufacturer's procedures may cause serious injury or death, and may damage the vehicle.

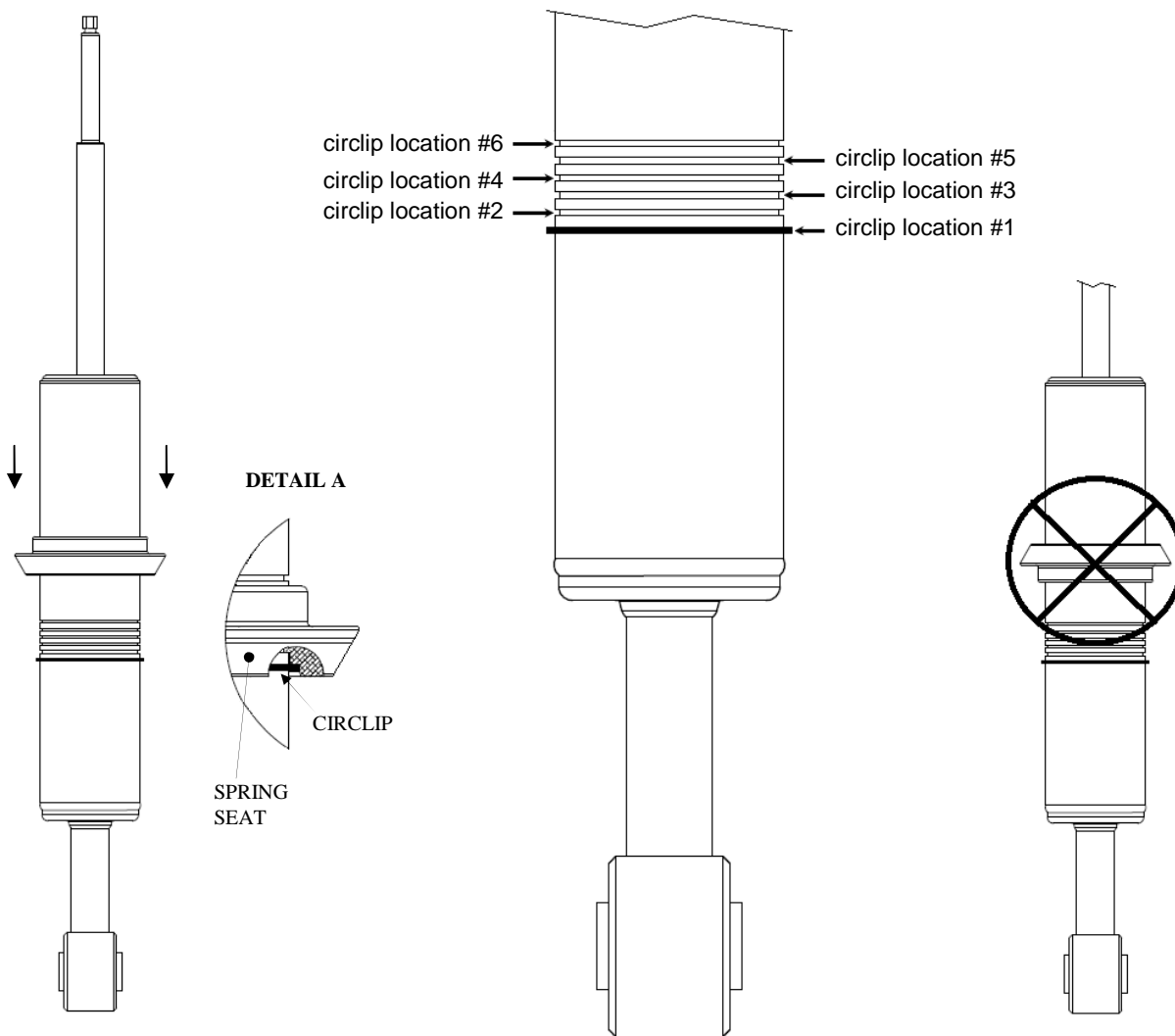
E4-WM5-Y508A00 MOUNTING INSTRUCTION



IMPORTANT:

PLACE CIRCLIP IN APPROPRIATE GROOVE TO ADJUST RIDE HEIGHT.

Use appropriate tools to move the circlip. Ensure that the circlip is fully seated in the groove after moving it (you should be able to rotate it manually in the groove). Install the spring seat in the direction shown only. The circlip must fit completely in the groove inside spring seat (DETAIL A). **Improper installation will cause permanent damage to the shock!**



Circlip Location	4x4 V8 Typical lift heights**	4x2 V6 Typical lift heights**
#6	3.00"	X
#5	2.63"	X
#4	2.26"	X
#3	1.89"	X
#2	1.63"	2.90"
#1	1.38"	2.58"

Circlip Location Driver side / Passenger side	4x4 V6 Typical lift heights**
#6 / #4	2.85"
#5 / #3	2.50"
#4 / #2	2.13"
#3 / #1	1.90"

Do not use circlip locations #3, #4, #5, or #6 on 4x2 V6 models.

E4-WM5-Y508A00 MOUNTING INSTRUCTION

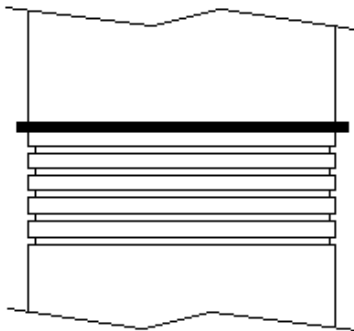


** Ride heights indicated are typical. Actual ride height is influenced by which factory suspension the vehicle is equipped with and its condition; optional equipment and accessories on your vehicle, and other vehicle modifications such as replacement coil springs, wheel and tire combinations, etc.

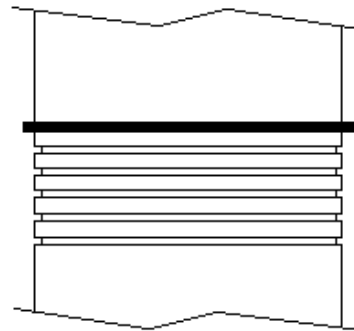
Modifying/lifting the suspension to your vehicle may raise its center of gravity and may make it more susceptible to loss of control and/or rollover, which may result in death or serious injury. We strongly recommend that you offset the loss of rollover resistance as much as possible by increasing tire track width, and that you equip the vehicle with a functional roll bar and cage system. Wear seat belts and shoulder harnesses at all times, and avoid situations where a side rollover may occur.

On **4x4 V8** models, it is recommended that **both driver and passenger side circlips are installed in the same location**. For example, to achieve the highest lift setting of 3" on a 4x4 V8, the circlips should be installed as follows:

**driver side
(circlip location #6)**

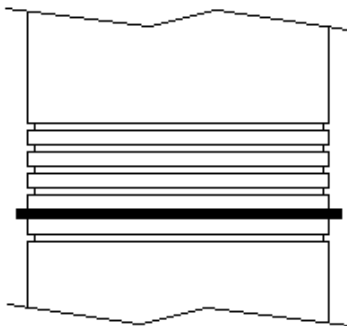


**passenger side
(circlip location #6)**

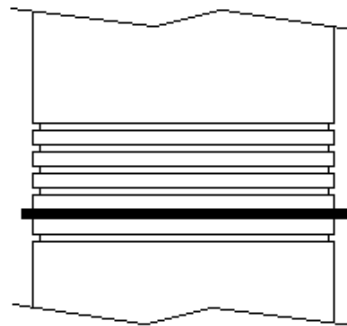


On **4x2 V6** models, it is recommended that **both driver and passenger side circlips are installed in the same location**. For example, to achieve the highest lift setting of 2.9" on a 4x2 V6, the circlips should be installed as follows
(Note: Do not use circlip locations #3, #4, #5, or #6 on 4x2 V6 models):

**driver side
(circlip location #2)**



**passenger side
(circlip location #2)**

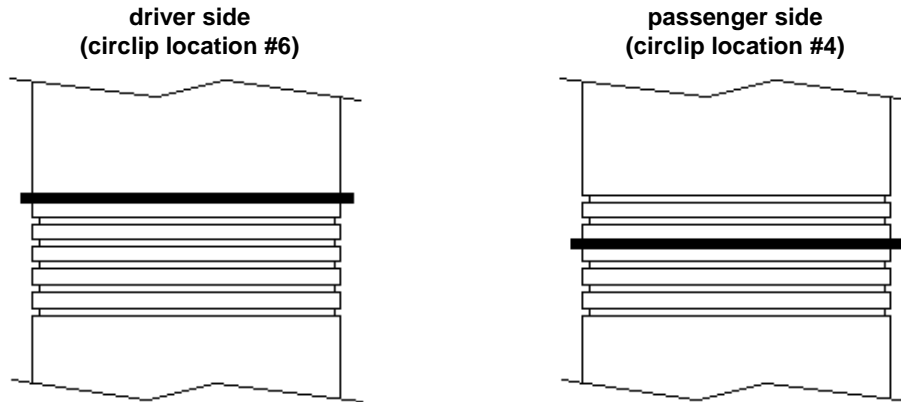


E4-WM5-Y508A00

MOUNTING INSTRUCTION



On **4x4 V6** models, it is recommended that the **driver side circlip is installed two positions higher than the passenger side circlip**. For example, to achieve the highest lift setting of 2.85" on a 4x4 V6, the circlips should be installed as follows:



Instructions for assembly of shock absorber module:

1. Install the supplied spring seat onto the shock body as shown. Ensure that the groove inside the spring seat fits over the circlip on the shock body [see page 2 (DETAIL A)].
2. Install the supplied rod adapter and supplied lower washer onto the stem of the rod as shown. Ensure that the rod adapter and lower washer are oriented correctly [see page 5 (DETAIL B)].
3. Install the supplied coil spring.
4. Verify OE lower bushing is still glued underneath OE top mount. Then install OE top mount, supplied upper bushing, and supplied upper washer as shown and in accordance with the vehicle manufacturer's Service Manual (see page 5 for illustration).
5. Install supplied lock nut and tighten to 27 Nm (20 lb·ft).

E4-WM5-Y508A00 MOUNTING INSTRUCTION

